

TDJ-5158BFB-Y

5GHz Outdoor Panel Antenna

Technical Sheet



Applications

- 5GHz WLAN system
- WiFi system
- Public wireless hotspot coverage

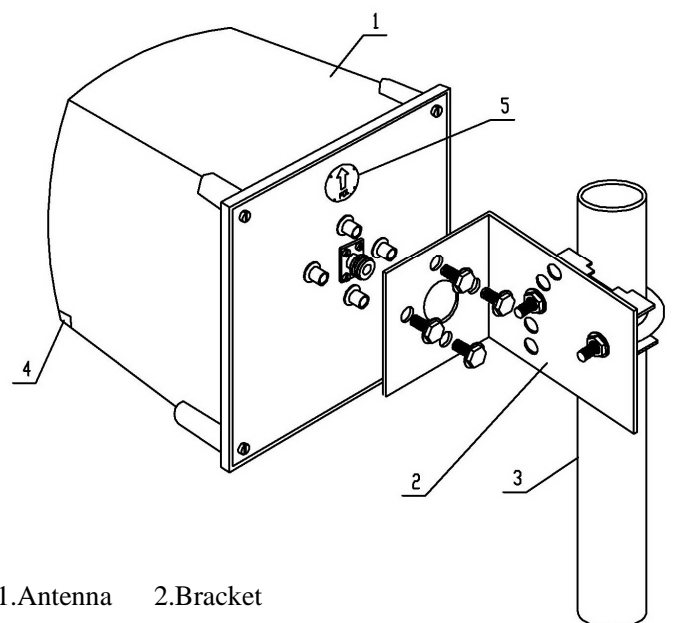
Features

- High gain, Low VSWR
- Light weight, Small size
- Strong adaptability of environment
- Supplied with down-tilt mast mounting kit

Specifications

Model	TDJ-5158BFB-Y
Freq.Range-MHz	5150-5850
Bandwidth-MHz	700
Gain-dBi	15
Beamwidth-°	H:20 E:20
F/B Ratio-dB	≥16
VSWR	≤2
Impedance-Ω	50
Polarization	Vertical or Horizontal
Max.Power-W	50
Connector	N female
Dimensions-mm	105×105×110
Weight-Kg	0.52
Mast Diameter-mm	φ40-φ50

Installation Sketch



1. Antenna
2. Bracket
3. User-provide Mast(φ 30-50mm)
4. bottom outlet hole
5. Polarization Mark